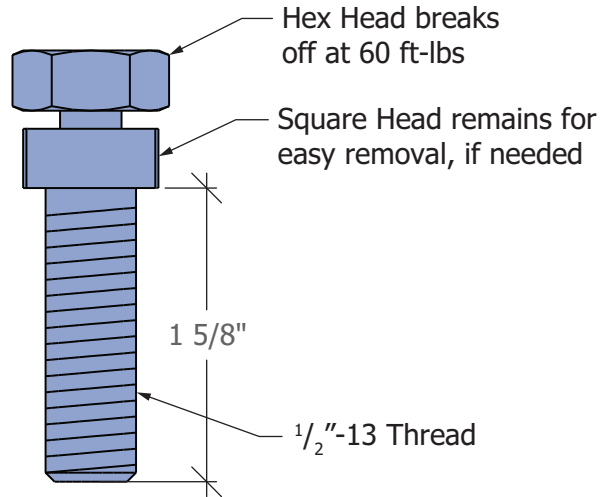
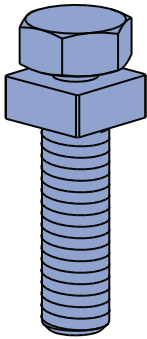
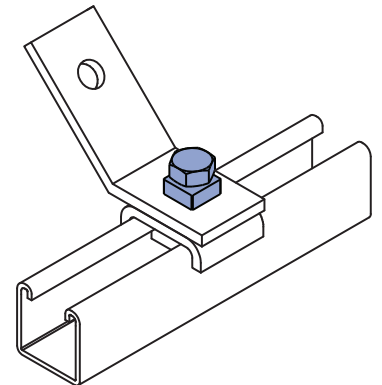
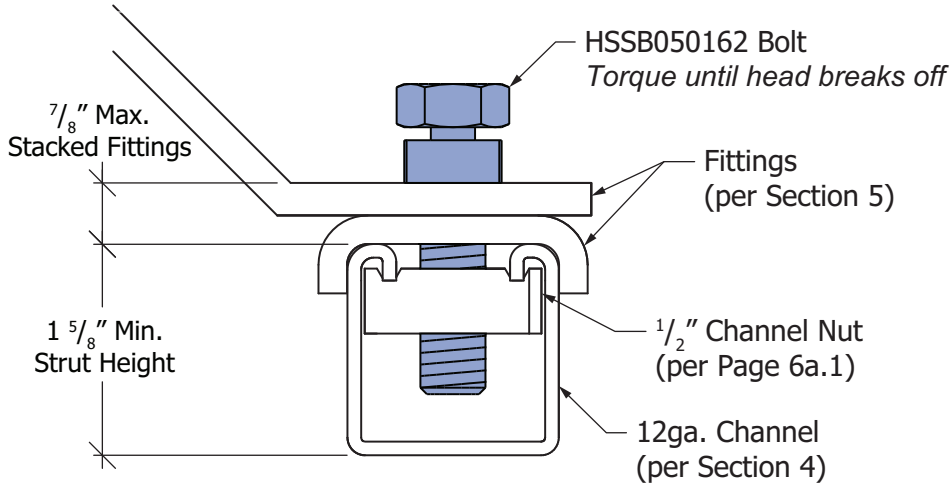


Break-Off Head Bolt

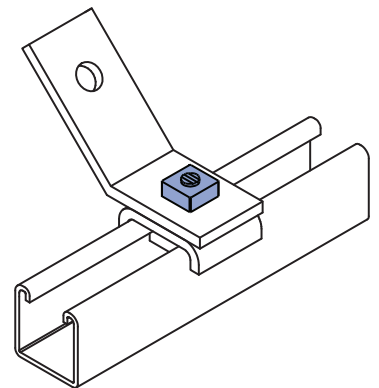
HSSB050162



DETAIL 6B.1-1: TYPICAL HSSB050162 CONNECTION TO STRUT



BEFORE HEAD BREAKS OFF



AFTER HEAD BREAKS OFF

Material / Finish Specifications

Material: SAE J429 GR 2

Finish: ASTM B633 Type III SC1 (EG)

Atkore[™]
Unistrut

16100 S. Lathrop Ave
Harvey, IL 60426
Toll-Free: (800) 882-5543

www.unistrutseismic.com

Structural Engineer: Rami Elhassan
California SE No. 3930

Page:

6b.1