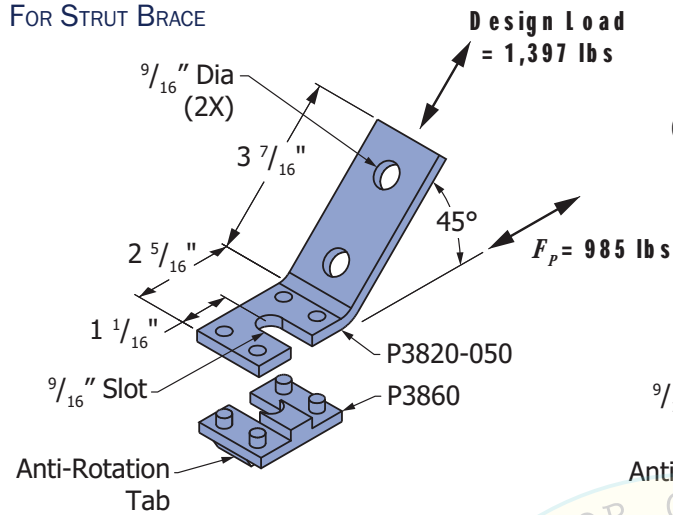


Brace Fittings

BRACE FITTINGS – RETROFIT, 45° FIXED ANGLE

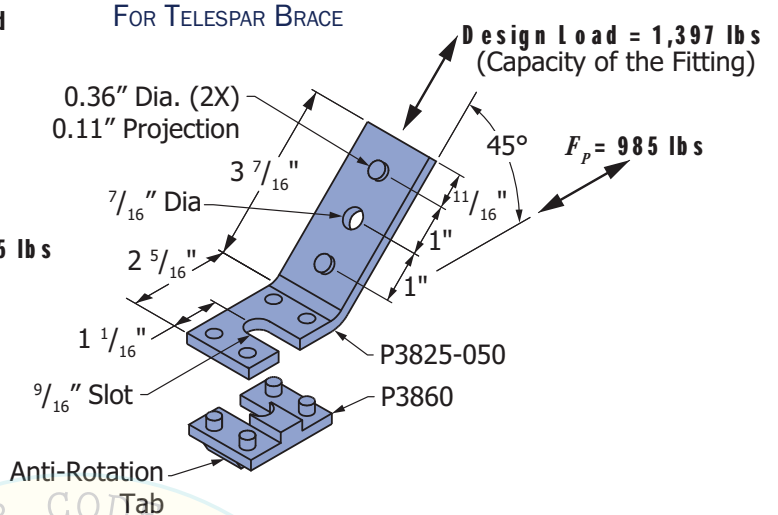
P3820-050 + P3860

FOR STRUT BRACE



P3825-050 + P3860

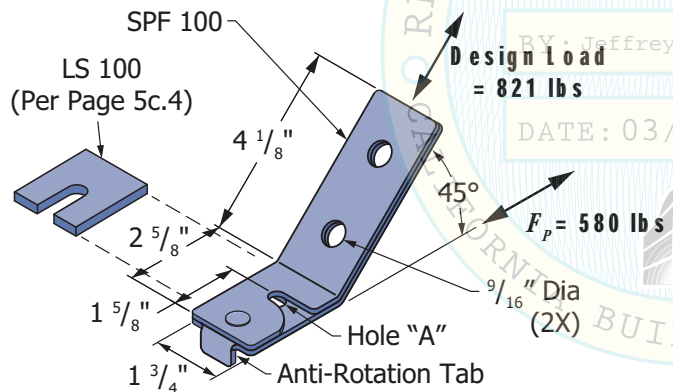
FOR TELES PAR BRACE



SPF 100-XXX + LS 100

FOR STRUT BRACE

ROD SIZES 1/2" THRU 3/4"



Material / Finish Specifications

All Fittings on this Page Except P3860

Material: ASTM A1011 SS Grade 33 min. or
ASTM A1011 SS Grade 45 min.

Finish: ASTM B633 Type III SC1 (EG)

Part No.	Rod Size	Hole Size "A" (Dia.)
SPF 100-050	1/2"	9/16"
SPF 100-062	5/8"	1 1/16"
SPF 100-075	3/4"	1 3/16"

Note:

- 1) Loads based on 1/2" HHCS or HSSB Bolt, and 1/2" Channel Nut.
- 2) All fitting connections must conform to one of the details in Section 5a. All holes in each fitting must have one of these connections unless otherwise noted in the above details. Other components are hidden on this page for clarity.
- 3) Fitting Dimensions (all this page) unless otherwise noted: Hole Diameter: 9/16"; Hole Spacing - From End: 1 3/16"; Hole Spacing - On Center: 1 7/8"; Width: 1 5/8"; Thickness: 1/4" or 0.22".
- 4) P3825-050 is to be connected to Telespar per Page 5a.8 and capacities on that page may govern.

Atkore
Unistrut

16100 S. Lathrop Ave
Harvey, IL 60426
Toll-Free: (800) 882-5543

www.unistrutseismic.com

Rami Elhassan
Structural Engineer: Rami Elhassan
California SE No. 3930

Page:

5c.2