

Brace Fittings

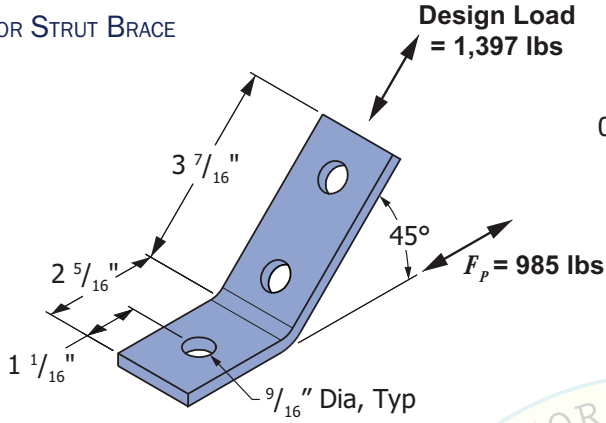
BRACE FITTINGS – NEW INSTALLATIONS

45° FIXED ANGLE FITTINGS

Material / Finish Specifications All Fittings on this Page
Material: ASTM A1011 SS GR 33 min. or ASTM A1011 HSLAS GR 45 min.
Finish: ASTM B633 Type III SC1 (EG)

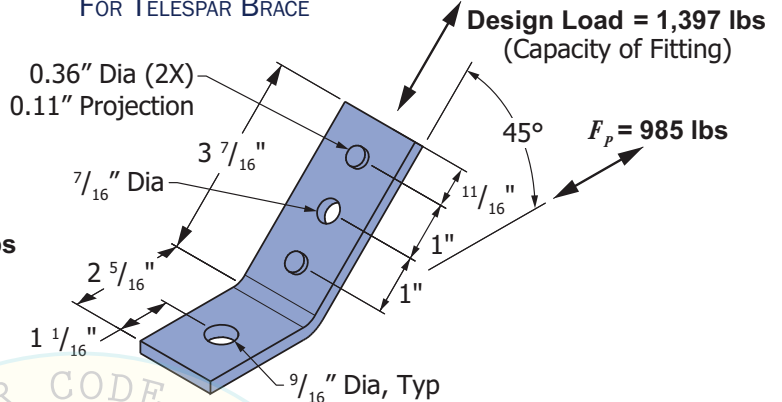
P3810-050

FOR STRUT BRACE



P3815-050

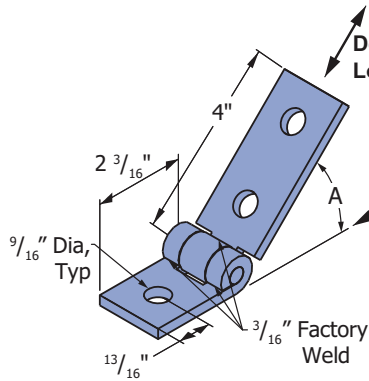
FOR TELES PAR BRACE



HINGED FITTINGS

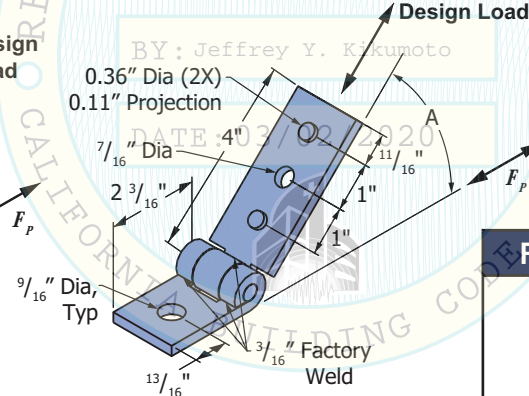
P1354AW

FOR STRUT BRACE

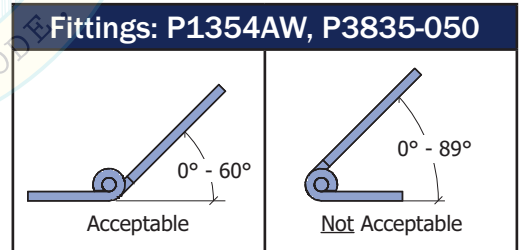


P3835-050

FOR TELES PAR BRACE



Fittings: P1354AW, P3835-050		
Angle "A" from Horizontal	Design Load (lbs)	F_p (lbs)
30° +5° / -25°	2,136	1,850
45° +5° / -10°	1,397	985
60° +0° / -10°	1,462	730



Note:

- 1) Loads based on 1/2" HHCS or HSSB Bolt, and 1/2" Channel Nut.
- 2) All fitting connections to strut must conform to one of the details in Section 5a. All holes in each fitting must have one of these connections unless otherwise noted in the above details. Other components are hidden on this page for clarity.
- 3) Fitting dimensions (all this page) unless otherwise noted: Hole Diameter: 9/16"; Hole Spacing - From End: 13/16"; Hole Spacing - On Center: 1 7/8"; Width: 1 5/8"; Thickness: 1/4" or 0.22".
- 4) P3815-050 and P3835-050 are to be connected to Telespar per Page 5a.8 and capacities on that page may govern.



16100 S. Lathrop Ave
 Harvey, IL 60426
 Toll-Free: (800) 882-5543

www.unistrutseismic.com

Rami Elhassan
 Structural Engineer: Rami Elhassan
 California SE No. 3930

Page:

5c.1