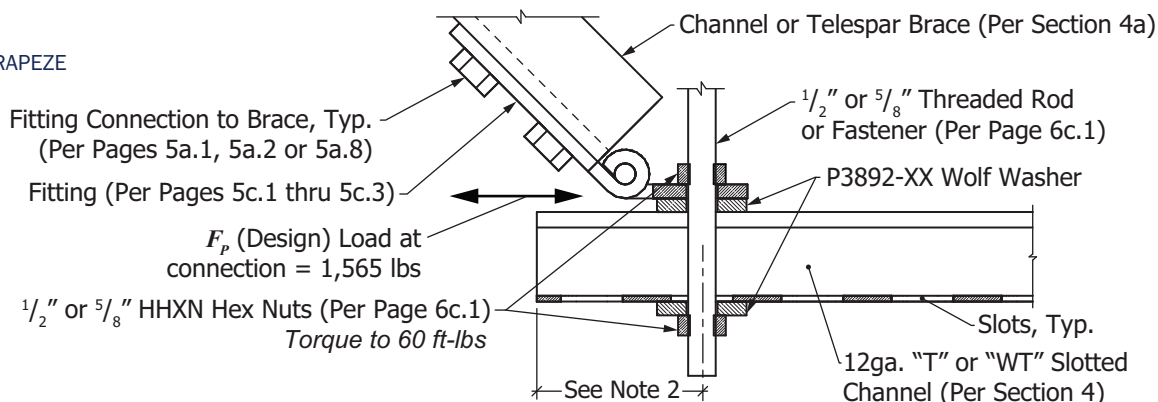


Wolf Washer

WOLF WASHER (P3892-XX) – CAPACITIES AND INSTALLATION DETAILS

DETAIL 5B.2-1

SLOT ADAPTER FOR TRAPEZE

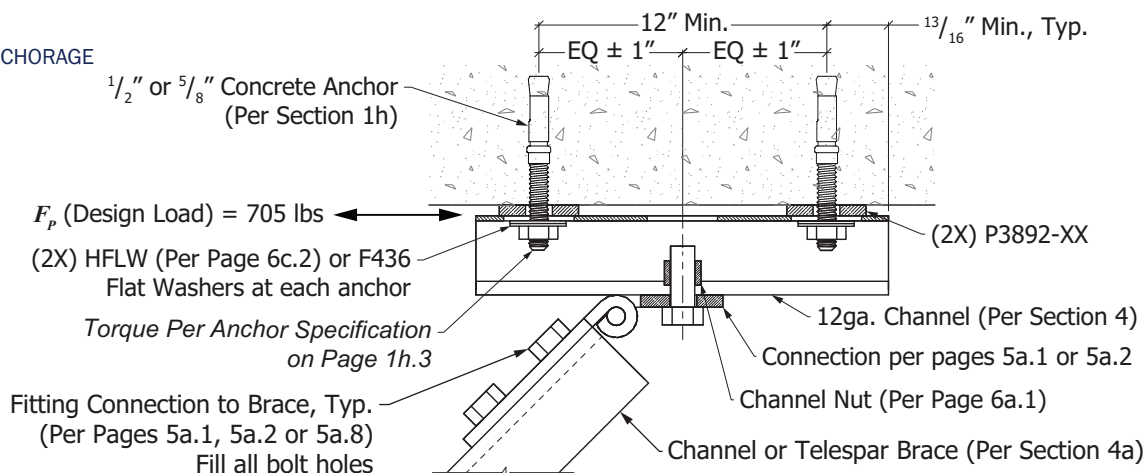


Notes:

- 1) Brace transverse to Channel attached through Wolf Washer has an $F_p = 935$ lbs.
- 2) Min. end distance to be $2\frac{1}{2}$ " for P1000 & P1001, $3\frac{3}{4}$ " for P5500 & P5501, and 5" for P5000 and P5001.

DETAIL 5B.2-2

SLOT ADAPTER FOR ANCHORAGE



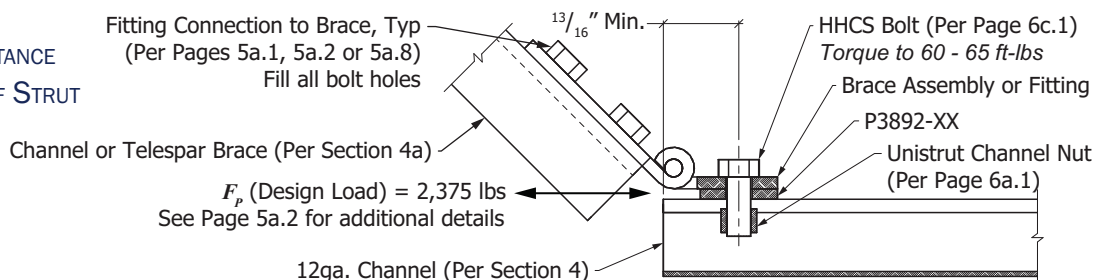
Notes:

- 1) Brace transverse to Channel centered between anchors has an $F_p = 935$ lbs.
- 2) Capacities listed exclude the Concrete Anchor capacity. RDP is responsible for determining the limiting factor.

DETAIL 5B.2-3

INCREASED SLIP RESISTANCE

ATTACHMENT AT END OF STRUT



Notes:

- 1) Brace transverse to Channel attached through Wolf Washer has an $F_p = 935$ lbs.
- 2) See Page 5a.2 for additional details.



16100 S. Lathrop Ave
Harvey, IL 60426
Toll-Free: (800) 882-5543

www.unistrutseismic.com

Structural Engineer: Rami Elhassan
California SE No. 3930

Page:

5b.2