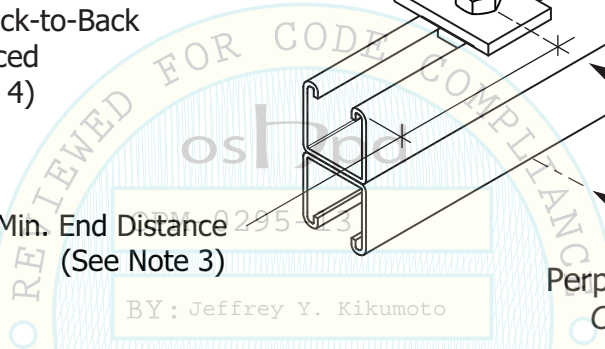
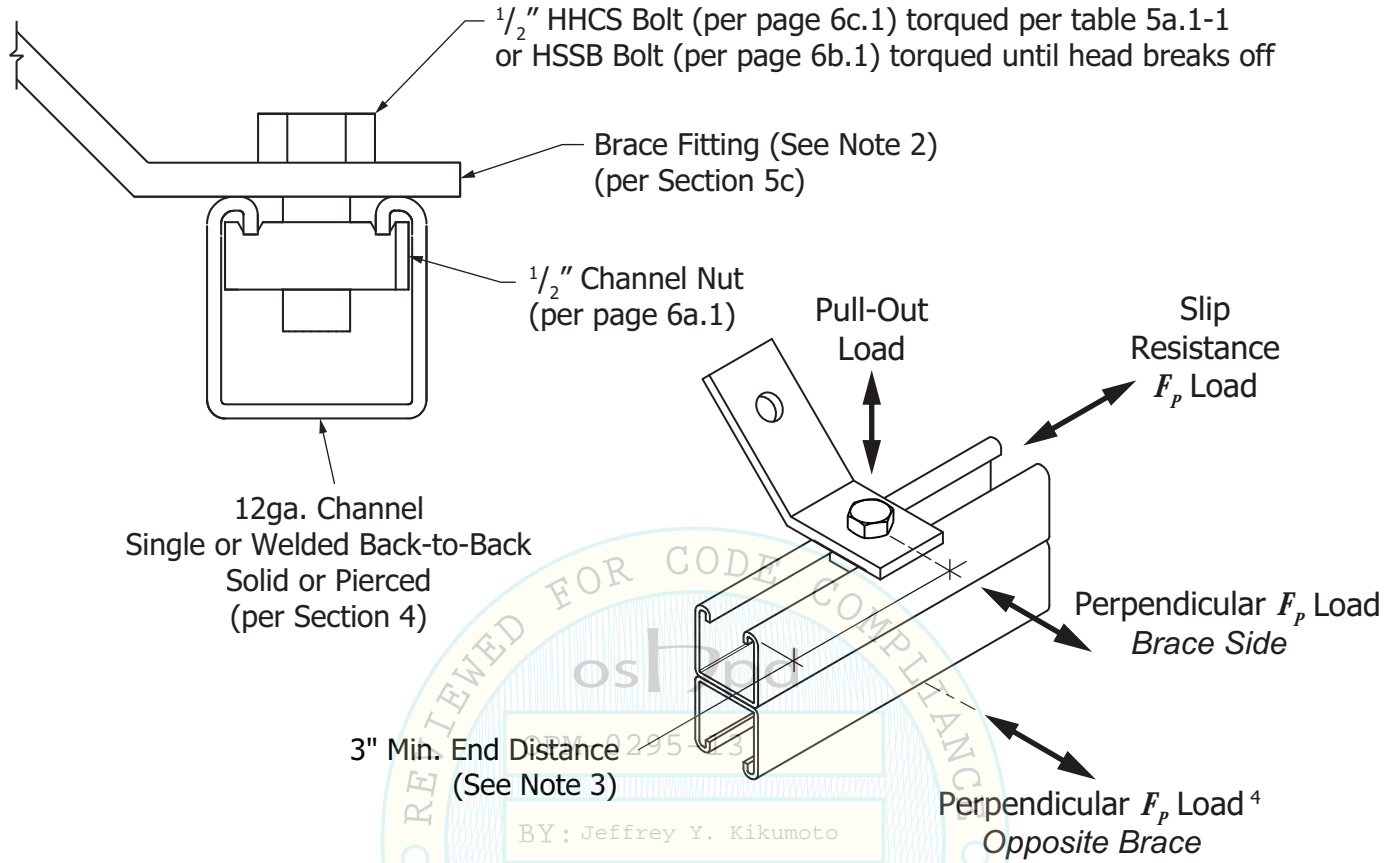


## Typical Connection Details

### DETAIL 5A.1-1: TYPICAL FITTING CONNECTION TO STRUT



Bolt Size	Installation Torque (ft-lbs)	Maximum Horizontal $F_p$ Force (lbs) [ASD]			
		Max. Capacity (lbs) [ASD] Pull-Out	Slip Resistance	Perpendicular $F_p$ Load Brace Side	Perpendicular <sup>4</sup> $F_p$ Load Opposite Brace
1/2"	50 - 55	2,810	1,370	1,035	640

**Notes:**

- 1) Capacities listed in Table 5a.1-1 are for this connection only when attached to the open side of the channel. Fittings, Channel and other component capacities must also be considered.
- 2) The fitting may be oriented in a transverse or longitudinal (as shown) orientation. A typical transverse connection is shown on Detail 5b.2-3. A max of two fittings may also be stacked at this connection to accommodate braces in both directions.
- 3) For end distances less than 3", use the Wolf Washer per Page 5a.2.
- 4) When used with P1001, P5501 or P5001 channel and a perpendicular load is applied on the opposite side of the channel from the brace. The total of the perpendicular loads at the Brace Side and Opposite Side must not exceed 1,035 lbs.

**Atkore**  
**Unistrut**

16100 S. Lathrop Ave  
Harvey, IL 60426  
Toll-Free: (800) 882-5543

www.unistrutseismic.com

*Rami Elhassan*  
Structural Engineer: Rami Elhassan  
California SE No. 3930

Page:

5a.1