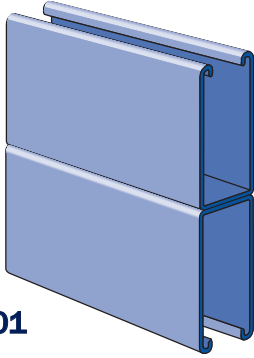
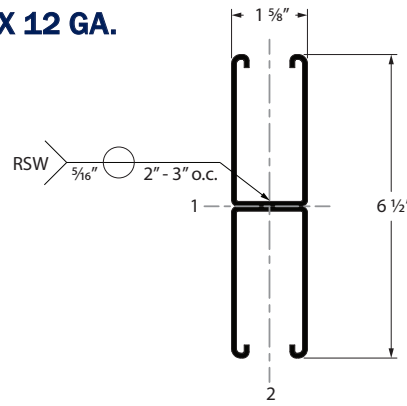


Channel - Beam Loading

P5001, P5001T, P5001WT, P5001HS - 1 5/8" X 6 1/2" X 12 GA.



P5001



PIERCED OPTIONS

	1/16" x 1 1/8" Slots 2" on Center
P5001T	
	1 1/16" x 2" Slots 3" on Center
P5001WT	
	1/16" Dia. Holes 1 7/8" on Center
P5001HS	

Beam Loads [ASD] Axis 1-1							
Span	Maximum Allowable Uniform Load (V_{allow})	Deflection at Uniform Load	Uniform Loading at Deflection			Unbraced Length	
			Span/180 (D_{allow})	Span/240 (D_{allow})	Span/360 (D_{allow})		
(ft)	(lbs)	(in)	(lbs)	(lbs)	(lbs)	(ft)	Factor (Φ_{LV})
2	5,620*	0.01	5,620*	5,620*	5,620*	2	1.00
3	6,890*	0.02	6,890*	6,890*	6,890*	3	1.00
4	6,890*	0.05	6,890*	6,890*	6,890*	4	0.97
5	6,420	0.10	6,420	6,420	6,420	5	0.90
6	5,350	0.14	5,350	5,350	5,350	6	0.83
7	4,590	0.19	4,590	4,590	4,590	7	0.76
8	4,010	0.25	4,010	4,010	4,010	8	0.68
9	3,570	0.32	3,570	3,570	3,360	9	0.61
10	3,210	0.39	3,210	3,210	2,720	10	0.53
12	2,680	0.57	2,680	2,680	1,890	12	0.42
14	2,290	0.77	2,290	2,080	1,390	14	0.35
16	2,010	1.01	2,010	1,590	1,060	16	0.30
18	1,780	1.27	1,680	1,260	840	18	0.26
20	1,610	1.58	1,360	1,020	680	20	0.24

Notes:

- 1) Values in this table apply to P5001, P5001T, P5001WT, and P5001HS channels
- 2) Refer to page 4b.0 for the calculation procedure
- 3) Channel Weight ($W_{channel}$): 6.10 lbs/ft
- 4) Allowable Moment (M_{allow}): 48,170 in-lbs
- 5) Beam loads are provided in total uniform load, not uniform loading (e.g. lbs/ft or lbs/in)
- 6) These values apply only to Unistrut brand products. Unistrut channels are stamped with the name "UNISTRUT".
- 7) * Load limited by spot weld shear. Weld shear and tension are accounted for in the above listed capacities.



16100 S. Lathrop Ave
Harvey, IL 60426
Toll-Free: (800) 882-5543

www.unistrutseismic.com

Structural Engineer: Rami Elhassan
California SE No. 3930

Page:

4b.6