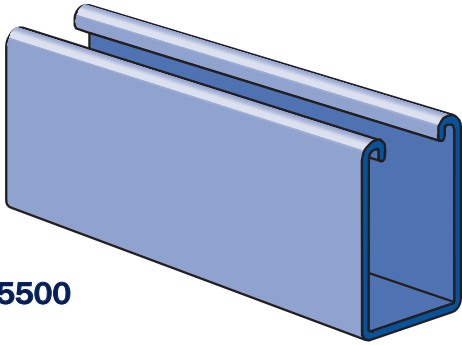
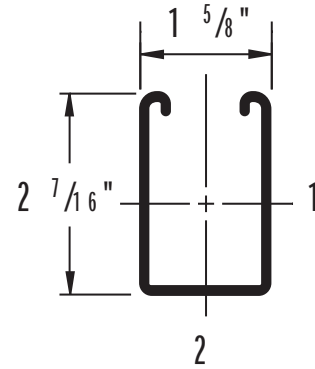


Channel - Beam Loading

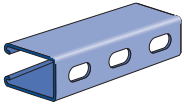
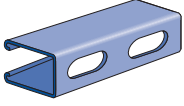
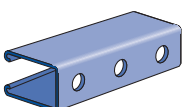
P5500, P5500T, P5500WT, P5500HS - 1 5/8" X 2 7/16" X 12 GA.



P5500



PIERCED OPTIONS

	$\frac{9}{16}$ " x $1 \frac{1}{8}$ " Slots 2" on Center
P5500T	
	$1 \frac{1}{16}$ " x 2" Slots 3" on Center
P5500WT	
	$\frac{9}{16}$ " Dia. Holes $1 \frac{7}{8}$ " on Center
P5500HS	

Beam Loads [ASD] Axis 1-1							
Span	Maximum Allowable Uniform Load (V_{allow})	Deflection at Uniform Load	Uniform Loading at Deflection			Unbraced Length	
			Span/180 (D_{allow})	Span/240 (D_{allow})	Span/360 (D_{allow})		
(ft)	(lbs)	(in)	(lbs)	(lbs)	(lbs)	(ft)	Factor (Φ_{LV})
2	2,980	0.04	2,980	2,980	2,980	2	0.99
3	1,980	0.09	1,980	1,980	1,980	3	0.89
4	1,490	0.17	1,490	1,490	1,180	4	0.77
5	1,190	0.26	1,190	1,140	760	5	0.67
6	990	0.38	990	790	530	6	0.58
7	850	0.51	770	580	390	7	0.51
8	740	0.67	590	440	300	8	0.46
9	660	0.85	470	350	230	9	0.42
10	600	1.06	380	280	190	10	0.40
12	500	1.52	260	200	130	12	0.36
14	430	2.08	190	140	100	14	0.32
16	370	2.67	150	110	70	16	0.30
18	330	3.39	120	90	60	18	0.28
20	300	4.23	90	70	50	20	0.26

Notes:

- 1) Values in this table apply to P5500, P5500T, P5500WT, and P5500HS channels
- 2) Refer to page 4b.0 for the calculation procedure
- 3) Channel Weight ($W_{channel}$): 2.47 lbs/ft
- 4) Allowable Moment (M_{allow}): 8,925 in-lbs
- 5) Beam loads are provided in total uniform load, not uniform loading (e.g. lbs/ft or lbs/in)
- 6) These values apply only to Unistrut brand products. Unistrut channels are stamped with the name "UNISTRUT".



16100 S. Lathrop Ave
Harvey, IL 60426
Toll-Free: (800) 882-5543

www.unistrutseismic.com

Structural Engineer: Rami Elhassan
California SE No. 3930

Page:

4b.3