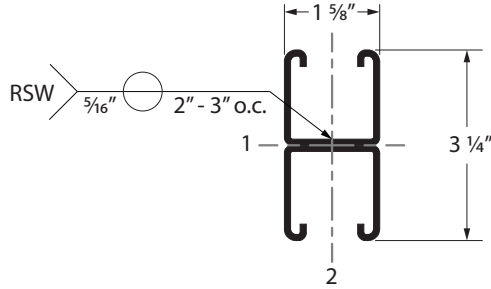
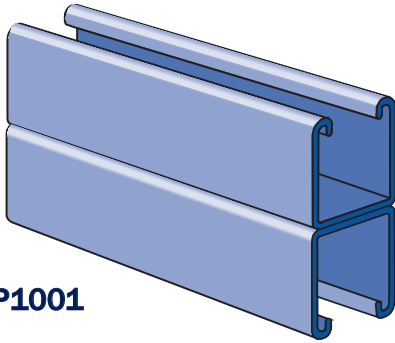


Channel - Beam Loading

P1001, P1001T, P1001WT, P1001HS - 1 5/8" X 3 1/4" X 12 GA.



P1001

PIERCED OPTIONS

	9/16" x 1 1/8" Slots 2" on Center
P1001T	
	1 1/16" x 2" Slots 3" on Center
P1001WT	
	9/16" Dia. Holes 1 7/8" on Center
P1001HS	

Beam Loads [ASD] Axis 1-1								
Span	Maximum Allowable Uniform Load (V_{allow})	Deflection at Uniform Load	Uniform Loading at Deflection			Unbraced Length		
			Span/180 (D_{allow})	Span/240 (D_{allow})	Span/360 (D_{allow})			
(ft)	(lbs)	(in)	(lbs)	(lbs)	(lbs)	(ft)	Factor (Φ_{LV})	
2	3,330*	0.02	3,330*	3,330*	3,330*	2	1.00	
3	3,190	0.07	3,190	3,190	3,190	3	1.00	
4	2,390	0.13	2,390	2,390	2,390	4	1.00	
5	1,910	0.20	1,910	1,910	1,620	5	0.97	
6	1,590	0.28	1,590	1,590	1,130	6	0.93	
7	1,370	0.39	1,370	1,240	830	7	0.89	
8	1,200	0.51	1,200	950	630	8	0.85	
9	1,060	0.64	1,000	750	500	9	0.81	
10	960	0.79	810	610	410	10	0.78	
12	800	1.14	560	420	280	12	0.70	
14	680	1.53	410	310	210	14	0.63	
16	600	2.02	320	240	160	16	0.56	
18	530	2.54	250	190	130	18	0.49	
20	480	3.16	200	150	100	20	0.44	

Notes:

- 1) Values in this table apply to P1001, P1001T, P1001WT, and P1001HS channels
- 2) Refer to page 4b.0 for the calculation procedure
- 3) Channel Weight ($W_{channel}$): 3.78 lbs/ft
- 4) Allowable Moment (M_{allow}): 14,345 in-lbs
- 5) Beam loads are provided in total uniform load, not uniform loading (e.g. lbs/ft or lbs/in)
- 6) These values apply only to Unistrut brand products. Unistrut channels are stamped with the name "UNISTRUT".
- 7) * Load limited by spot weld shear. Weld shear and tension are accounted for in the above listed capacities.

<p style="font-size: 1.2em; margin-top: 10px;">16100 S. Lathrop Ave Harvey, IL 60426 Toll-Free: (800) 882-5543</p> <p style="font-size: 0.8em; margin-top: 10px;">www.unistrutseismic.com</p>	<p style="font-size: 1.1em; margin-top: 10px;">Structural Engineer: Rami Elhassan California SE No. 3930</p>	<p style="font-size: 1.1em;">Page:</p> <p style="font-size: 2em; font-weight: bold; margin-top: 10px;">4b.2</p>
	<p style="font-size: 0.8em;">OPM-0292-13: Reviewed for Code Compliance by Jeffrey Kikumoto</p>	