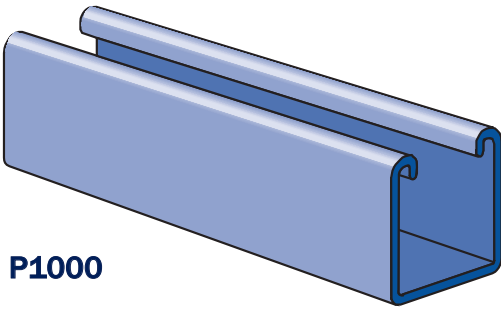
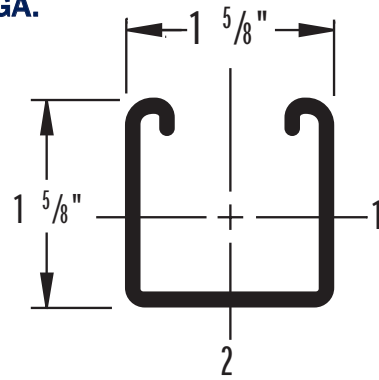


## Channel - Beam Loading

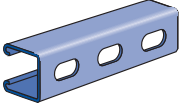
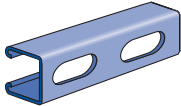
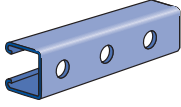
**P1000, P1000T, P1000WT, P1000HS - 1 5/8" X 1 5/8" X 12 GA.**



**P1000**



### PIERCED OPTIONS

	<p>3/16" x 1 1/8" Slots 2" on Center</p>
<b>P1000T</b>	
	<p>11/16" x 2" Slots 3" on Center</p>
<b>P1000WT</b>	
	<p>9/16" Dia. Holes 1 7/8" on Center</p>
<b>P1000HS</b>	

Beam Loads [ASD] Axis 1-1							
Span	Maximum Allowable Uniform Load ( $V_{allow}$ )	Deflection at Uniform Load	Uniform Loading at Deflection			Unbraced Length	
			Span/180 ( $D_{allow}$ )	Span/240 ( $D_{allow}$ )	Span/360 ( $D_{allow}$ )	(ft)	Factor ( $\Phi_{LV}$ )
(ft)	(lbs)	(in)	(lbs)	(lbs)	(lbs)	(ft)	
2	1,530	0.06	1,530	1,530	1,530	2	1.00
3	1,020	0.14	1,020	1,020	720	3	0.94
4	760	0.25	760	610	410	4	0.88
5	610	0.39	520	390	260	5	0.82
6	510	0.56	360	270	180	6	0.78
7	440	0.77	270	200	130	7	0.75
8	380	1.00	200	150	100	8	0.71
9	340	1.27	160	120	80	9	0.69
10	310	1.59	130	100	70	10	0.66
12	250	2.21	90	70	50	12	0.61
14	220	3.09	70	50	30	14	0.55
16	190	4.00	50	40	-	16	0.51
18	170	5.08	40	-	-	18	0.47
20	150	6.25	-	-	-	20	0.44

**Notes:**

- 1) Values in this table apply to P1000, P1000T, P1000WT, and P1000HS channels
- 2) Refer to page 4b.0 for the calculation procedure
- 3) Channel Weight ( $W_{channel}$ ): 1.89 lbs/ft
- 4) Allowable Moment ( $M_{allow}$ ): 4,575 in-lbs
- 5) Beam loads are provided in total uniform load, not uniform loading (e.g. lbs/ft or lbs/in)
- 6) These values apply only to Unistrut brand products. Unistrut channels are stamped with the name "UNISTRUT".



16100 S. Lathrop Ave  
Harvey, IL 60426  
Toll-Free: (800) 882-5543

[www.unistrutseismic.com](http://www.unistrutseismic.com)

Structural Engineer: Rami Elhassan  
California SE No. 3930

Page:

**4b.1**