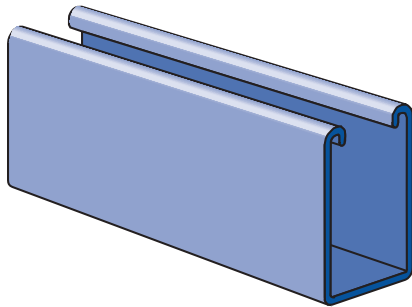


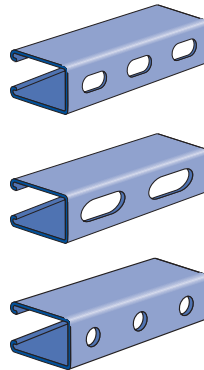
Channel – Rigid Brace

P5500, P5500T, P5500WT, P5500HS - 1 5/8" X 2 7/16" X 12 GA

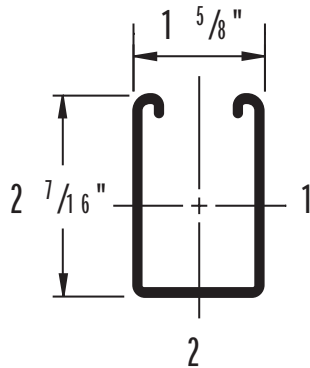
PIERCED OPTIONS



P5500



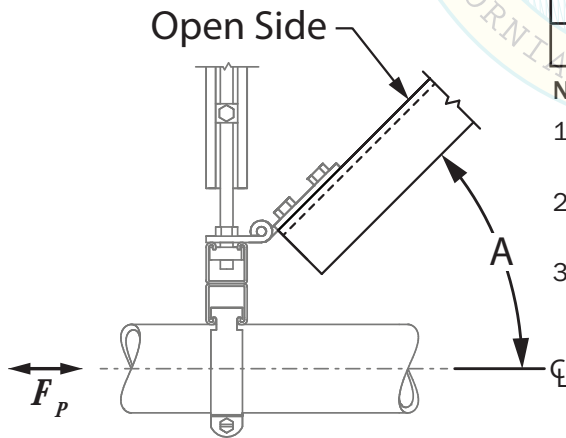
P5500T	3/16" x 1 1/8" Slots 2" on Center
P5500WT	1 1/16" x 2" Slots 3" on Center
P5500HS	3/16" Dia. Holes 1 7/8" on Center



Span (ft.)	Maximum Horizontal F_p Force (lbs) [ASD]			
	Angle "A"			
	0° +5° / -0°	30° +5° / -25°	45° +5° / -10°	60° +0° / -10°
2'	4,500	3,890	3,180	2,250
3'	3,920	3,390	2,770	1,960
4'	3,180	2,750	2,240	1,590
5'	2,550	2,200	1,800	1,270
6'	2,120	1,830	1,490	1,060
7'	1,810	1,560	1,270	900
8'	1,580	1,360	1,110	790
9'	1,400	1,210	980	700
10'	1,270	1,090	890	630
12'	1,060	910	740	530
14'	920	790	650	460

Notes:

- 1) These values apply only to Unistrut brand products. Unistrut channels are stamped with the name "UNISTRUT".
- 2) Max F_p shown is based on P5500WT. Max F_p can be increased for different strut types based on section properties shown on page 4c.1.
- 3) Max allowable force F_p may be limited by the capacities of the brace fitting, channel nut or rod connection, trapeze support, anchorage, or capacity of another component.



Atkore™
Unistrut

16100 S. Lathrop Ave
Harvey, IL 60426
Toll-Free: (800) 882-5543

www.unistrutseismic.com

Rami Elhassan
Structural Engineer: Rami Elhassan
California SE No. 3930

Page:

4a.3