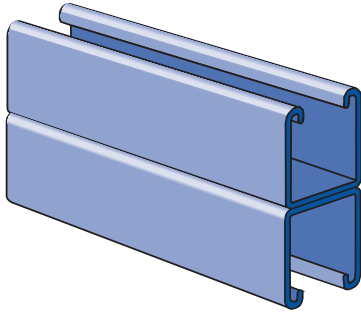


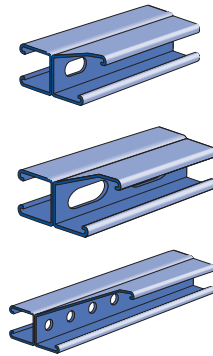
## Channel – Rigid Brace

**P1001, P1001T, P1001WT, P1001HS - 1 5/8" X 3 1/4" X 12 GA.**

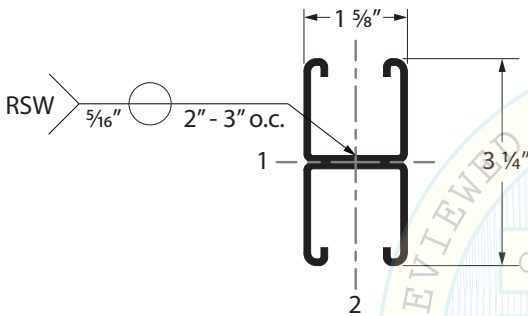
### PIERCED OPTIONS



**P1001**



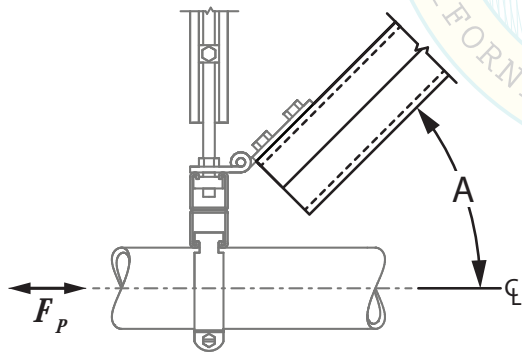
<b>P1001T</b>	9/16" x 1 1/8" Slots 2" on Center
<b>P1001WT</b>	1 1/16" x 2" Slots 3" on Center
<b>P1001HS</b>	9/16" Dia. Holes 1 7/8" on Center



Span (ft.)	Angle "A"			
	0° +5° / -0°	30° +5° / -25°	45° +5° / -10°	60° +0° / -10°
2'	6,200	5,360	4,380	3,100
3'	6,070	5,250	4,290	3,030
4'	5,950	5,150	4,200	2,970
5'	5,800	5,020	4,100	2,900
6'	5,450	4,710	3,850	2,720
7'	5,040	4,360	3,560	2,520
8'	4,600	3,980	3,250	2,300
9'	4,140	3,580	2,920	2,070
10'	3,670	3,170	2,590	1,830
12'	2,900	2,510	2,050	1,450

**Notes:**

- 1) These values apply only to Unistrut brand products. Unistrut channels are stamped with the name "UNISTRUT".
- 2) Max  $F_p$  shown is based on P1001WT. Max  $F_p$  can be increased for different strut types based on section properties shown on page 4c.1.
- 3) Max allowable force  $F_p$  may be limited by the capacities of the brace fitting, channel nut or rod connection, trapeze support, anchorage, or capacity of another component.



16100 S. Lathrop Ave  
Harvey, IL 60426  
Toll-Free: (800) 882-5543

www.unistrutseismic.com

Structural Engineer: Rami Elhassan  
California SE No. 3930

Page:

**4a.2**