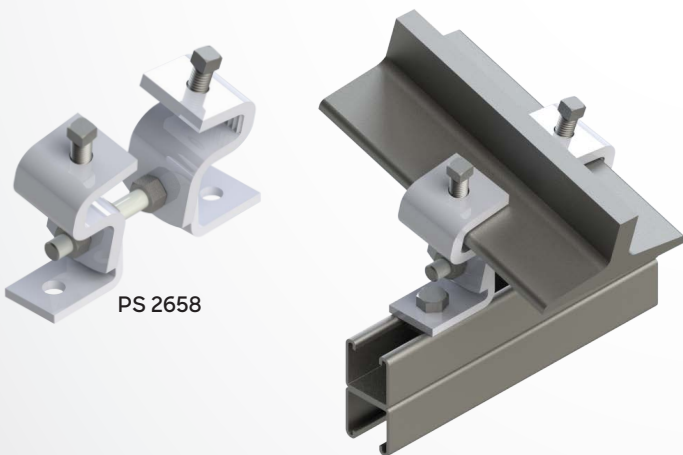


THE SOLUTION FOR MOUNTING STRUT TO A SLOPED CEILING

Power-Strut® is proud to introduce our new Hinged Beam Clamp, the solution for mounting a strut system to a sloped ceiling. The Hinged Beam Clamp is designed to pivot up to 18° so the strut installation can remain level even when the ceiling is not.

In the past, contractors have used various methods such as bending or modifying products which are not recommended attachment methods. The Hinged Beam Clamp provides a safe and easy solution for mounting strut to a sloped ceiling. Order today!

Power-Strut® Hinged Beam Clamp



PS 2658

I-beam, Channel, Hex Head Cap Screws
and Channel Nut not included

Features and Benefits

- Safe solution for mounting strut to a sloped ceiling
- Eliminates the need to modify products to accommodate sloped ceilings
- Beam Flange width ranging from 4"-12"
- Compatible with any 1 5/8" strut profile
- Serrated inside face to prevent slippage
- Beam Flange thickness up to 7/8"
- Slopes up to 18°

| Part Number | Beam Flange Width (in) | Beam Loads (lb) |
|-------------|------------------------|-----------------|
| PS 2658-06 | 4 - 6 | 1500 |
| PS 2658-08 | 6 1/8 - 8 | 1500 |
| PS 2658-10 | 8 1/8 - 10 | 1500 |
| PS 2658-12 | 10 1/8 - 12 | 1500 |



For more info visit atkore.com/power-strut

